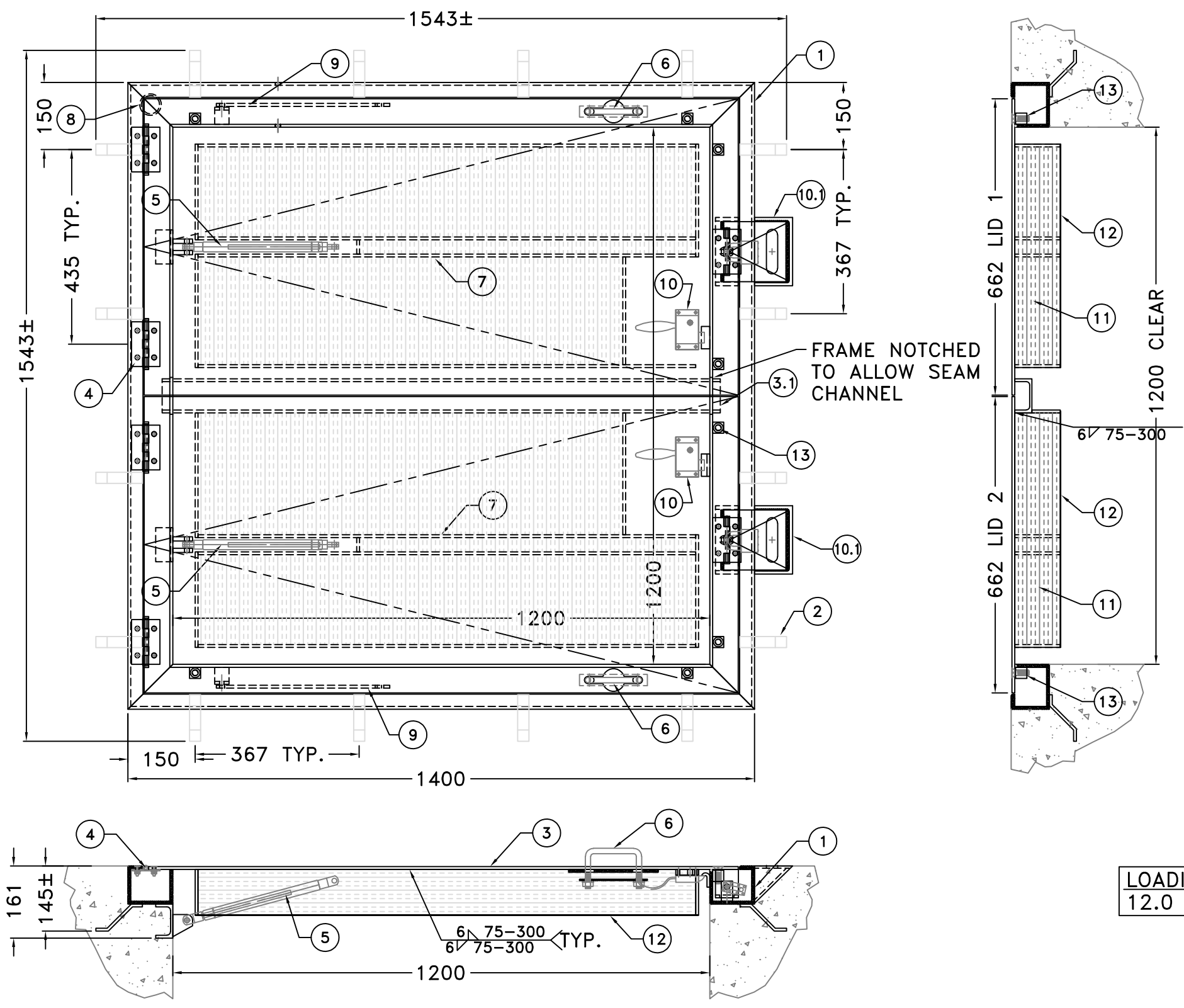


NOTE:  
CUSTOMER IS RESPONSIBLE FOR  
INSTALLING FRAME AS TO SLOPE  
TO DRAIN.  
HATCH MUST BE PROTECTED DURING  
CONSTRUCTION.

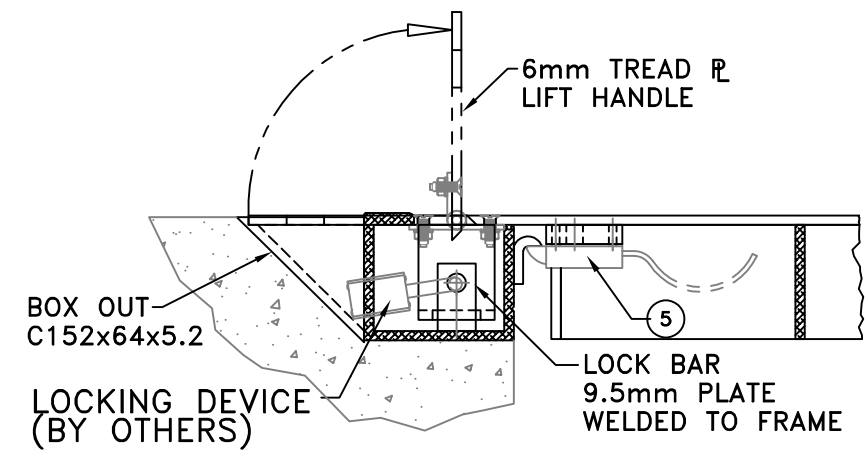
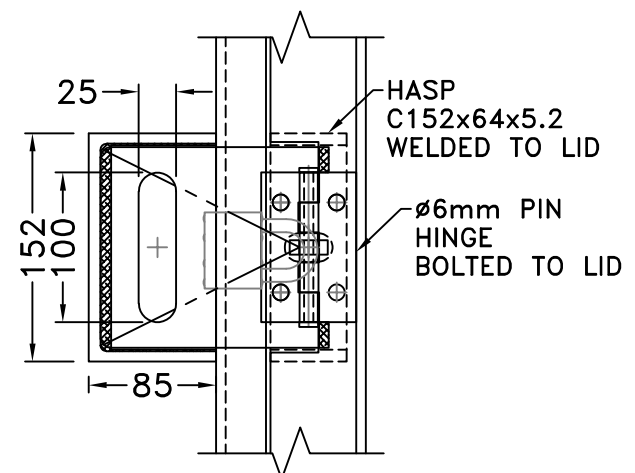


MATERIAL LIST					
#	DESCRIPTION	MATERIAL	CUT LENGTH (mm)	QTY.	ORDER LENGTH (m)
①	CAST IN FRAME	ALU. EXTRUSION SERIES 3000	-	(1)	-
②	CAST IN LUGS	ALU. 6061-T6 FB6x25 (450 C/C MAX.)	-	(16)	-
③	LID PLATE GASKETED FRAME	ALU. 6061-T6 6.35mm TREAD PLATE	-	(2)	-
③.1	LID SEAM DRAIN CHANNEL	ALU. 6061-T6 ALU C76x38	-	(1)	-
④	HINGE	316 STAINLESS STEEL Ø6 PIN	-	(4)	-
⑤	LIFT ASSIST	316 STAINLESS STEEL W/ ALU C76x38 SS HARDWARE	-	(2)	-
⑥	RETRACTING LIFT HANDLE	316 STAINLESS STEEL Ø6 RND. BAR	-	(2)	-
⑦	LID REINFORCING	ALU. 6061-T6 FB6x102	-	-	-
⑧	DRAIN COUPLING	ALU. 6061-T6 Ø38	-	(1)	-
⑨	HOLD OPEN SELF LOCKING	ALU. 6061-T6 SS HARDWARE	-	(2)	-
⑩	SLAM LOCK/PAD LOCK ASSEMBLY	316 STAINLESS STEEL C/W REMOVEABLE T HANDLE, TAMPER PROOF THREADED PLUG	-	(2)	-
⑩.1	LOCK BOX ASSEMBLY	SEE DETAIL	-	(2)	-
⑪	R-20 INSULATION	STYROFOAM DECKMATE 100mm THICK	-	(-)	-
⑫	INSULATION CLOSURE PLATE	ALU. 6061-T6 18ga. SHEET	-	(-)	-
⑬	HOLD DOWN ASSY.	316 SS Ø13 FHMS ALU.THREADED BLOCKS TAMPER PROOF	-	(8)	-

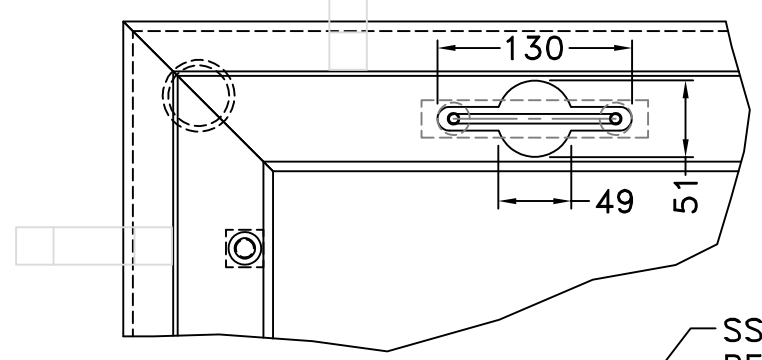
LOADING:  
12.0 kPa MAXIMUM

NOTE: QUANTITIES ARE FOR A SINGLE HATCH ASSEMBLY

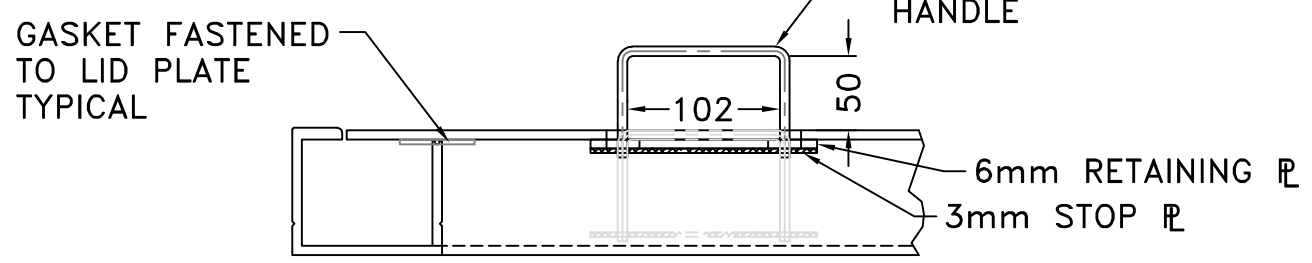
FINISHES:  
-ALUMINUM IN CONTACT WITH CONCRETE  
PAINTED W/ (2) COATS BITUMASTIC.



DETAIL @ LOCK BOX



NOTE:  
ANY INGRESS OF WATER  
IS IN FRAME AND FLOWS  
TO DRAIN



DETAIL @ LIFTING HANDLE

ISSUED FOR APPROVAL	
REVISIONS	
<b>TRADE-TECH INDUSTRIES</b>	
PROJECT No.:	PROJECT TITLE:
CUSTOMER:	DRAWING TITLE:
SERIES 3000 DDS ACCESS HATCH - DOUBLE LID 1200x1200 CLEAR OPENING R-20 INSULATED, LIFTING HANDLES	
DRAWN: LUNT	CHECKED: DATE: SCALE: NTS
SIZE: C	DRAWING NUMBER: A

QTY:	DIMENSIONS ARE IN MILLIMETERS U.N.O.	
MATERIAL:	ALUMINUM 6061-T6 U.N.O.	
FINISH:	MILL U.N.O.	
INSTALLED BY:	X	TOLERANCE ± 1.5mm

REFERENCE DIMS.: X  
NOTES:  
LOCATION -