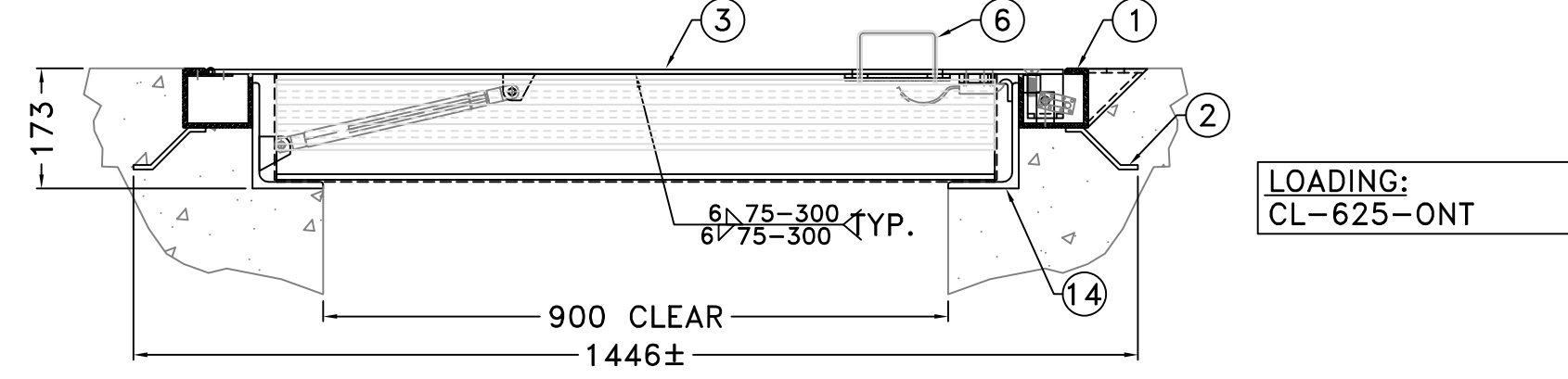
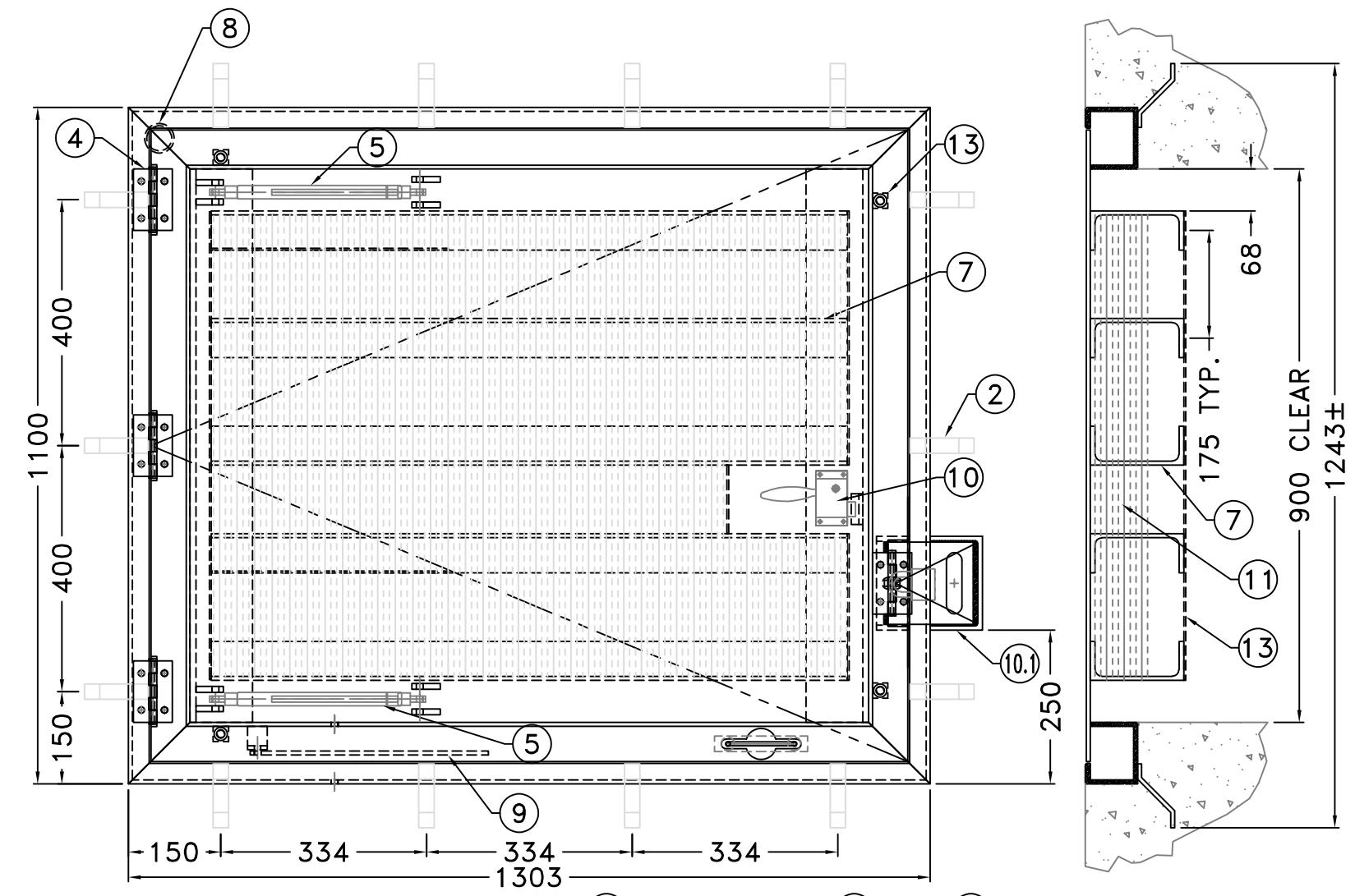
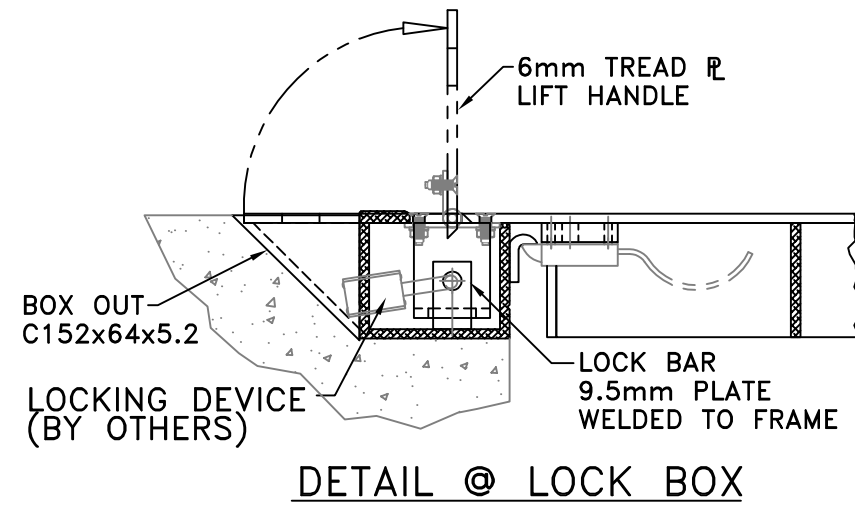
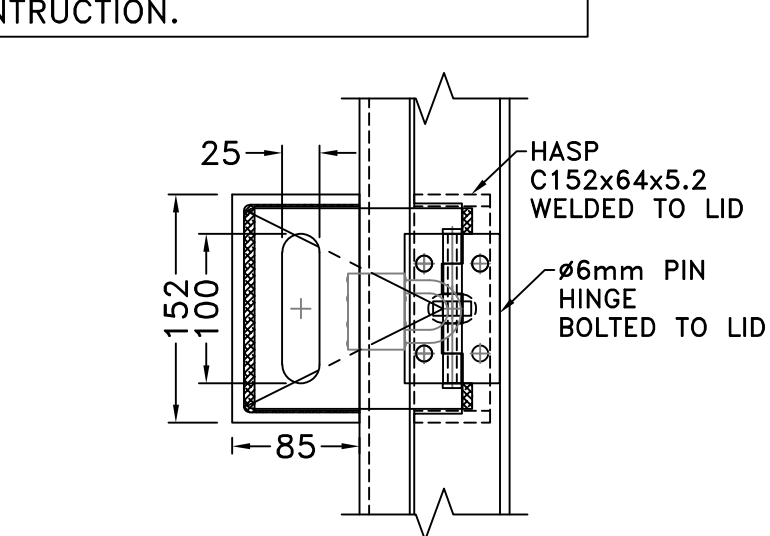
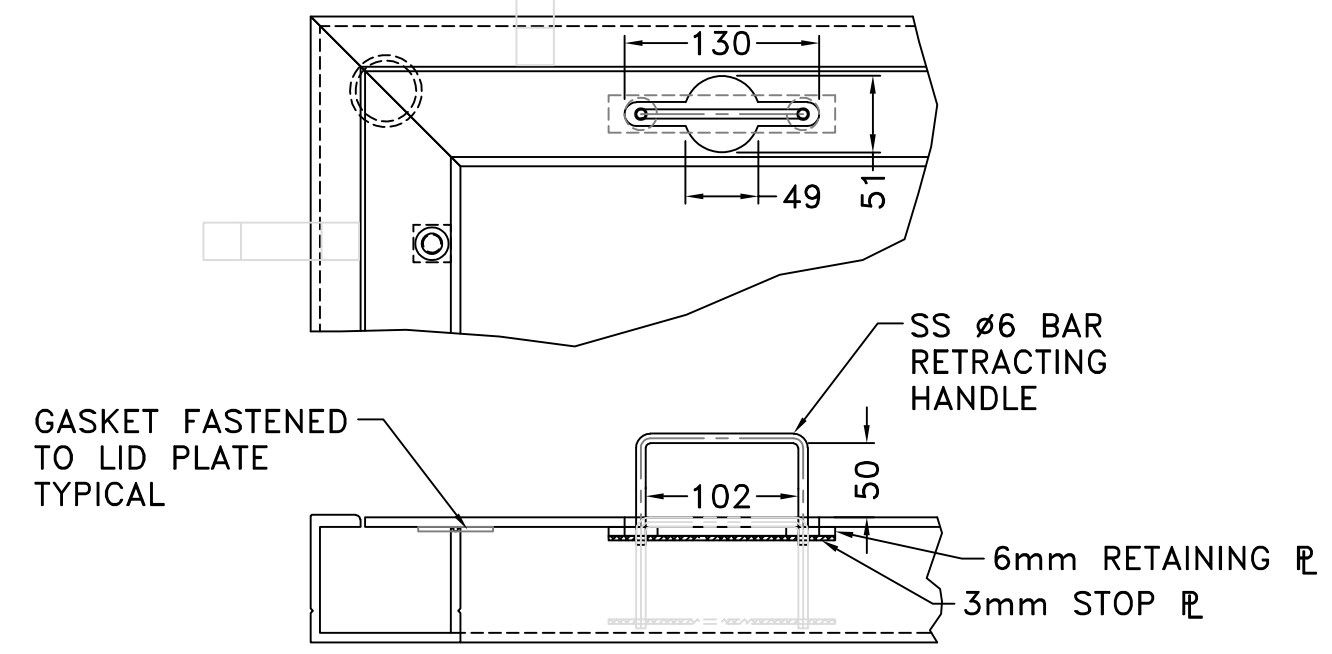


NOTE:
CUSTOMER IS RESPONSIBLE FOR
INSTALLING FRAME AS TO SLOPE
TO DRAIN.
HATCH MUST BE PROTECTED DURING
CONSTRUCTION.



FINISHES:
-ALUMINUM IN CONTACT WITH CONCRETE
PAINTED W/ (2) COATS BITUMASTIC.



DETAIL @ LIFTING HANDLE

MATERIAL LIST					
#	DESCRIPTION	MATERIAL	CUT LENGTH (mm)	QTY.	ORDER LENGTH (m)
①	CAST IN FRAME	ALU. EXTRUSION SERIES 3000 W	-	(1)	-
②	CAST IN LUGS	ALU. 6061-T6 FB6x25 (450 C/C MAX.)	-	(14)	-
③	LID PLATE GASKETED @ FRAME	ALU. 6061-T6 6.35mm TREAD PLATE	-	(1)	-
④	HINGE	316 STAINLESS STEEL Ø6 PIN	-	(3)	-
⑤	LIFT ASSIST	316 STAINLESS STEEL W/ ALU C76x38 SS HARDWARE	-	(2)	-
⑥	RETRACTING LIFT HANDLE	316 STAINLESS STEEL Ø6 RND. BAR	-	(1)	-
⑦	LID REINFORCING	ALU. 6061-T6 C152x64x5.2 W/ 3mm CAP PLATES	-	-	-
⑧	DRAIN COUPLING	ALU. 6061-T6 Ø38	-	(1)	-
⑨	HOLD OPEN SELF LOCKING	ALU. 6061-T6 SS HARDWARE	-	(1)	-
⑩	SLAM LOCK/PAD LOCK ASSEMBLY	316 STAINLESS STEEL C/W REMOVEABLE T HANDLE, TAMPER PROOF THREADED PLUG	-	(1)	-
⑩.1	LOCK BOX ASSEMBLY	SEE DETAIL	-	(1)	-
⑪	R-20 INSULATION	STYROFOAM DECKMATE 100mm THICK	-	(-)	-
⑫	INSULATION CLOSURE PLATE	ALU. 6061-T6 3mm PLATE	-	(-)	-
⑬	HOLD DOWN ASSY.	316 SS Ø13 FHMS ALU.THREADED BLOCKS TAMPER PROOF	-	(4)	-
⑭	REINFORCING SEAT	ALU. 6061-T6 L152x102x9.5 LLV	-	(2)	-

NOTE: QUANTITIES ARE FOR A SINGLE HATCH ASSEMBLY

ISSUED FOR APPROVAL	
REVISIONS	
TRADE-TECH INDUSTRIES	
PROJECT No.:	PROJECT TITLE:
CUSTOMER:	DRAWING TITLE:
SERIES 3000 SD-HD ACCESS HATCH - SINGLE LID 900x900 CLEAR OPENING R-20 INSULATED, LIFTING HANDLES	
DRAWN: LUNT	CHECKED: NTS
DATE:	SCALE: C
SIZE:	DRAWING NUMBER:
REV A	

BAR IS 25mm ON ORIGINAL DRAWING

QTY:	DIMENSIONS ARE IN MILLIMETERS U.N.O
MATERIAL:	ALUMINUM 6061-T6 U.N.O.
FINISH:	MILL U.N.O
INSTALLED BY:	TOLERANCE ± 1.5mm

REFERENCE DIMS.: X

NOTES: LOCATION -